



SOT-23 Plastic-Encapsulate Diodes

MC2838 SWITCHING DIODE

FEATURES

Power dissipation

$$P_D : 150 \text{ mW (} T_{amb}=25 \text{)}$$

Forward Current

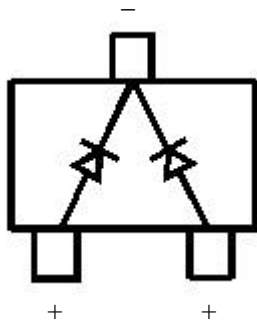
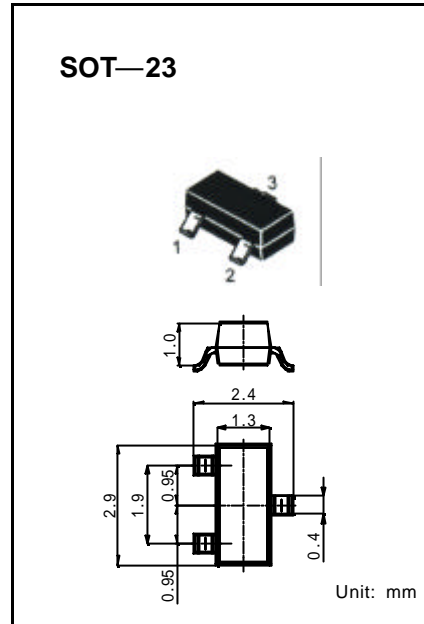
$$I_F : 300 \text{ mA}$$

Reverse Voltage

$$V_R : 50 \text{ V}$$

Operating and storage junction temperature range

$$T_J , T_{stg} : -55 \text{ to } +150$$

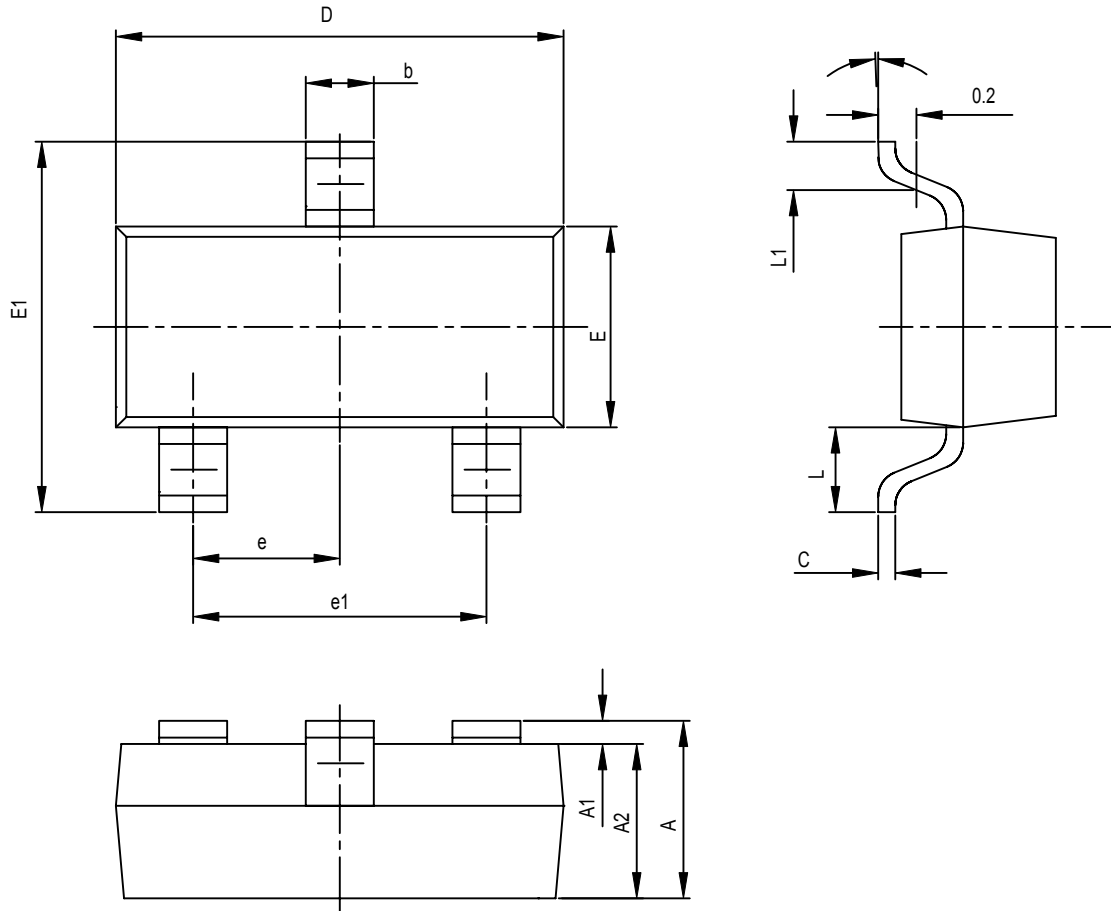


Marking:A61

ELECTRICAL CHARACTERISTICS ($T_{amb}=25$ unless otherwise specified)

Parameter	Symbol	Test conditions	MIN	MAX	UNIT
Reverse breakdown voltage	$V_{(BR)}$	$I_R=100 \mu A$	50		V
Reverse voltage leakage current	I_R	$V_R=50V$		0.1	μA
Forward voltage	V_F	$I_F=10mA$ $I_F=50mA$ $I_F=100mA$		0.9 1 1.2	V
Diode capacitance	C_D	$V_R=0V$ $f=1MHz$		4	pF
Reverse recovery time	t_{rr}	$I_F=I_R=10mA, I_{RR}=0.1 \times I_R$		3	nS

SOT-23 PACKAGE OUTLINE DIMENSIONS



Symbol	Dimensions In Millimeters		Dimensions In Inches	
	Min	Max	Min	Max
A	0.900	1.100	0.035	0.043
A1	0.000	0.100	0.000	0.004
A2	0.900	1.000	0.035	0.039
b	0.300	0.500	0.012	0.020
c	0.080	0.150	0.003	0.006
D	2.800	3.000	0.110	0.118
E	1.200	1.400	0.047	0.055
E1	2.250	2.550	0.089	0.100
e	0.950TPY		0.037TPY	
e1	1.800	2.000	0.071	0.079
L	0.550REF		0.022REF	
L1	0.300	0.500	0.012	0.020
θ	0°	8°	0°	8°