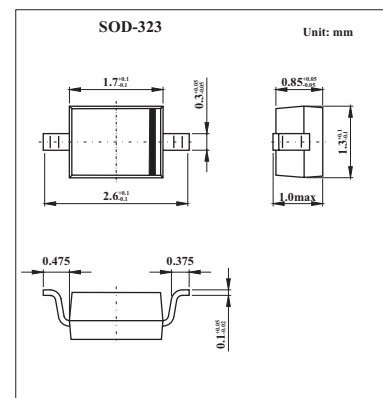


Schottky barrier diode

RB751V-40

■ Features

- Small surface mounting type.(EMD2,UMD2)
- Low reverse current and low forward voltage.
- High reliability.

■ Absolute Maximum Ratings $T_a = 25^\circ\text{C}$

Characteristic	Symbol	Limits	Unit
Peak reverse voltage	V_{RM}	40	V
DC reverse voltage	V_R	30	V
Mean rectifying current	I_o	30	mA
Peak forward surge current*	I_{FSM}	200	mA
Junction temperature	T_j	125	$^\circ\text{C}$
Storage temperature	T_{stg}	-40 to +125	$^\circ\text{C}$

*60 Hz for 1

■ Electrical Characteristics $T_a = 25^\circ\text{C}$

Characteristic	Symbol	Condition	Min	Typ	Max	Unit
Forward voltage	V_F	$I_F = 1 \text{ mA}$			0.37	V
Reverse current	I_R	$I_F = 30 \text{ V}$			0.5	μA
capacitance between terminal	C_T	$V_R = 1 \text{ V}, f = 1\text{MHz}$		2		pF

■ Marking

Marking	5
---------	---